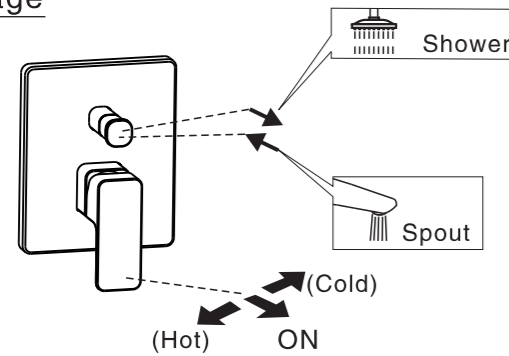


## Test / Usage

### 1 Test

- \* Move handle down into "OFF" position. Turn on supply angle valve to check all connections for leak.
- \* Operate handle up and down, left and right to flush water lines thoroughly.

### 2 Usage

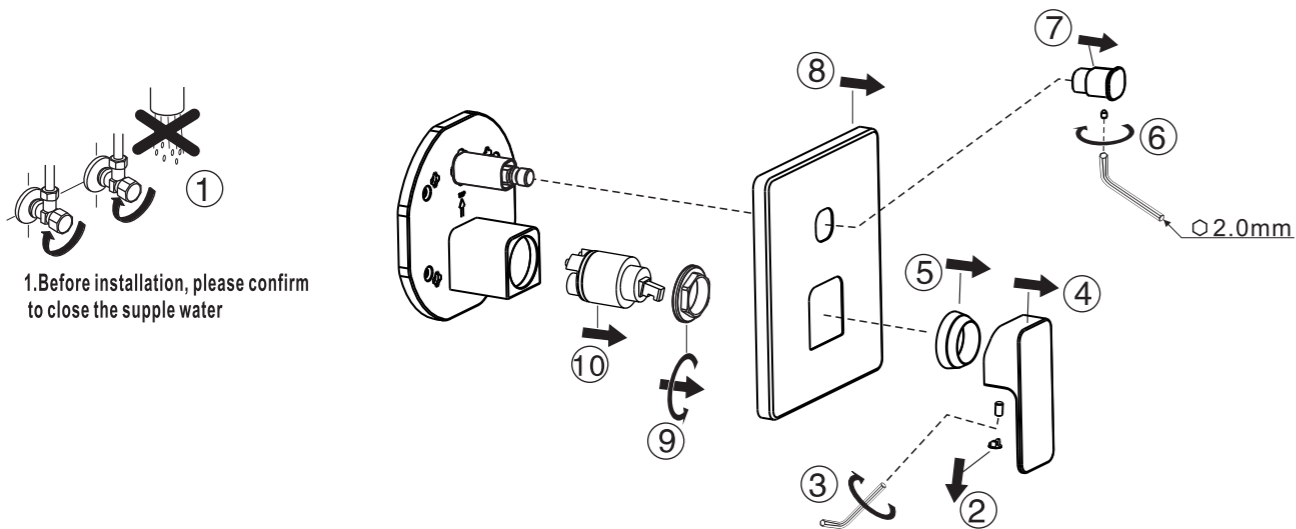


## Trouble Shooting Guide

Trouble	Checkpoint	Contents	Action
Poor flow rate	Regulator	Check any impurities.	Remove all impurities.
	Angle valve	Check valve position.	Open it to full valve
	Flexible hose	Check if hose is twisted.	Untwist the hose.
Leakage	Cartridge packing	Check cartridge install.	When packing is damaged, replace the cartridge.
	Hose junction	Check the connection.	Check the existence of packing and wind it up sufficiently
Deviant Temperature	Supply valve	Check if the water from supply valve is enough or not	Increase water supply
	Supply system	Check if the supply pipe connected correct or not	Connect the hot and cold water pipe correctly

## Care & Maintenance

\* If you want to change the parts or clean the inner of faucet, please follow the steps below to remove the parts.

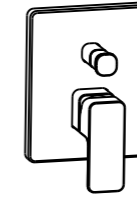


**Attention:**  
Please Leave the manual with the customer after installation is finished.

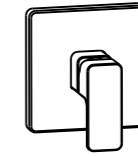
## Acacia-Evolution

A-1321-400B  
(FFAS1321-6T9500BT0 / WF-1321.6T9.50)  
Acacia Evolution Concealed B&S Mixing Valve

A-1322-500B  
(FFAS1322-7T9500BT0 / WF-1322.7T9.50)  
Acacia Evolution Concealed Shower Mixing Valve

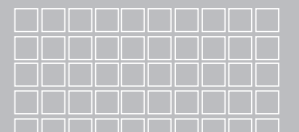


A-1321-400B



A-1322-500B

American Standard



Installation & Operation Instructions

*Thank you for selecting American-Standard - the benchmark of fine quality for over 100 years.*

**To ensure that your installation proceeds smoothly--please read these instructions carefully before you begin.**

\* American Standard always keep raising and improving the product design and performance, and reserve the right to modify the dimension and specification. At this case, we will not inform you separately.

\* This installation instruction sheet is for your reference only, the dimension and specification is subject to the actual products.

**All instruction procedures must comply in strict accordance with applicable local plumbing and building codes**

## Pre-Installation Checks

\*Remove all impurity in pipes before beginning to avoid clogging. Connect faucet pipes correctly.

\* Check installation distances in the Dimension diagram to ensure correct installation.

## Conditions for use

\* Recommended water pressure condition: ( Dynamic Pressure ) : 0.1Mpa-0.5Mpa ( When exceed 0.5MPa, it is strongly advised to fit pressure limiting valve )

\* Environment Temperature:1-55°C

\* Water temperature: 4 ~ 09°C, Recommended temperature 55°C ~ 65°C

\* Steam is not allowed to use.

\* The cold and hot water pipes must not be reserved.

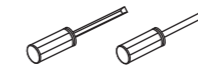
## Recommended Tools and Materials



Adjustable Wrench



Level



Screwdriver



Tape Measure



windtight swathe

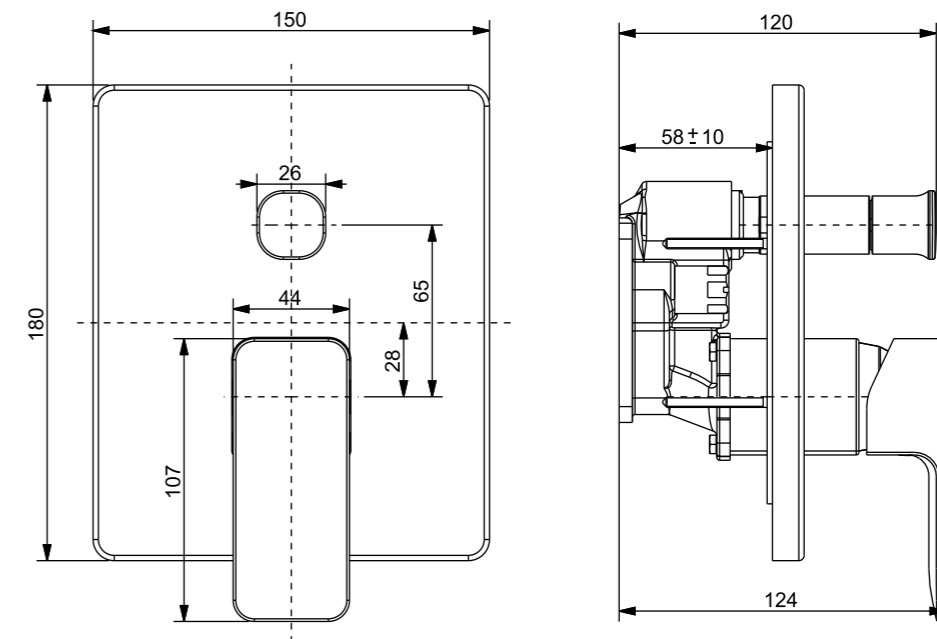


Pencil

## Dimension

Unit:mm

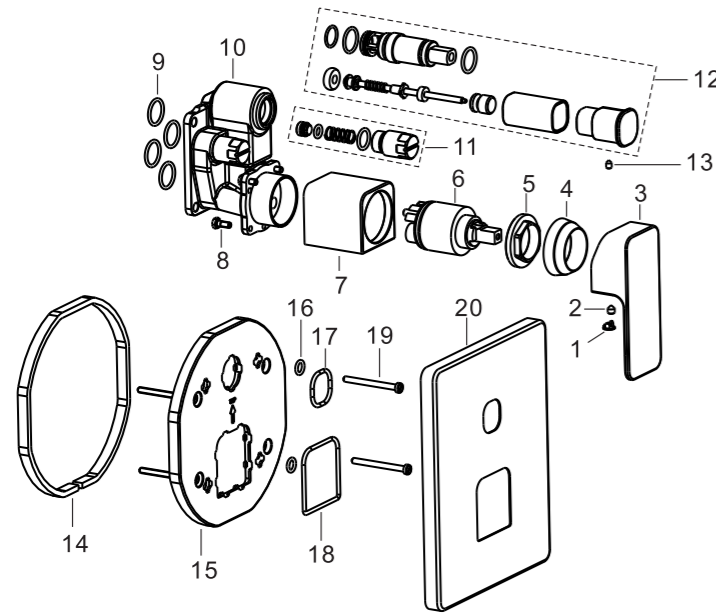
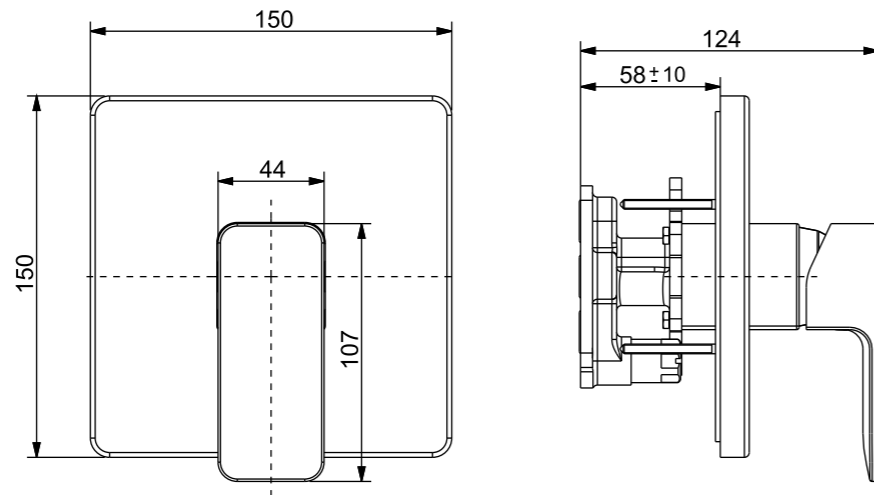
A-1321-400B



**Dimension**

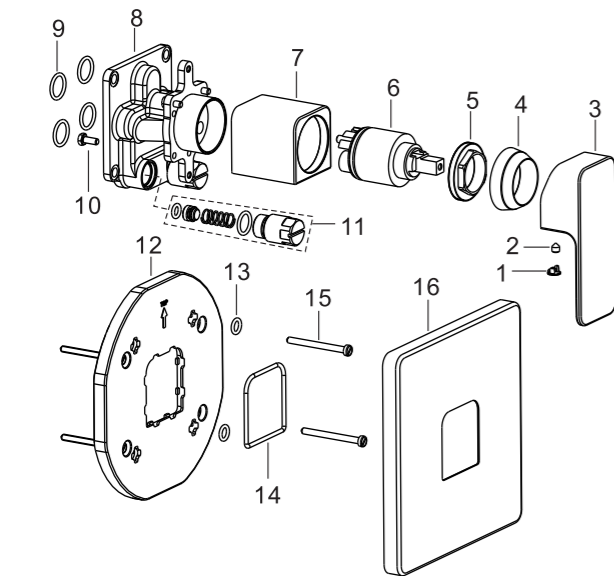
A-1322-500B

Unit:mm



A-1321-400B

Parts List		
No.	Part Name	Q'ty
1	Index Button	1
2	Screw	1
3	Handle	1
4	Cap	1
5	Nut	1
6	Cartridge	1
7	Bushing	1
8	Screw	4
9	O-Ring	4
10	Body	1
11	Safety device	2
12	Switching valve	1
13	Screw	1
14	Washer	1
15	Dead plate	1
16	O-Ring	4
17	Washer	1
18	Washer	1
19	Screw	4
20	Escutcheon	1
A	In-hex Wrench(2.5mm)	1
B	In-hex Wrench(2.0mm)	1



A-1322-500B

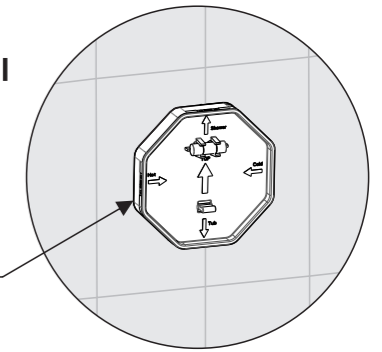
Parts List		
No.	Part Name	Q'ty
1	Index Button	1
2	Screw	1
3	Handle	1
4	Cap	1
5	Nut	1
6	Cartridge	1
7	Bushing	1
8	Body	1
9	O-Ring	4
10	screw	4
11	Safety device	2
12	Dead plate	1
13	O-Ring	4
14	Washer	1
15	Screw	4
16	Escutcheon	1
A	In-hex Wrench(2.5mm)	1

**Installation**

**1** Preparation

The product must use with "FFAS0625-000990BC0" AS Universal Installation Box , It's installation please refer to related user manual.

Before installation, Please confirm that you have correctly installed the "Universal Installation Box", and shut off the water supply



**2** Installing the Control Valve and Escutcheon and Handle

