

CCASF433-1010410F0

Neo Modern

CCASF433-1010410F0\_Neo Modern Vanity

**STYLE SEGMENT**

- Modern

**KEY SPECIFICATIONS**

- Product Dimensions: 800 x 499 x 120
- Product Description: Contact us for more information
- Vanity Material: Contact us for more information
- Vanity Finish: Contact us for more information
- Color: White Heat II
- Door/Drawer Configuration: Contact us for more information
- Basin Type: Contact us for more information
- Basin Material: Contact us for more information
- Product Weight: 24



**SHIPPING WEIGHT**

- Net Weight: 24
- Gross Weight: 26

**KEY TECHNOLOGIES AND FEATURES**

**HYGIENE**

- Complies with American Standard Quality Standards

**COMFORT**

- Complies with American Standard Quality Standards

**CONVENIENCE**

- Complies with American Standard Quality Standards

**DURABILITY**

- Complies with American Standard Quality Standards

**SUSTAINABILITY**

- Complies with American Standard Quality Standards

**SAFETY**

- Complies with American Standard Quality Standards

**OTHERS**

- NIL

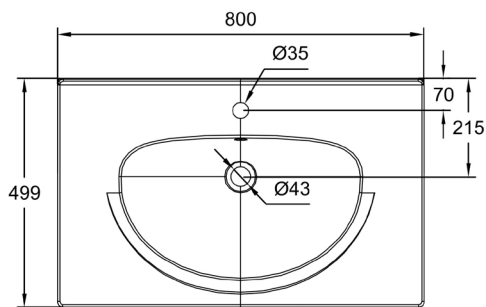
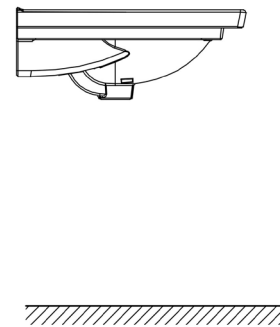
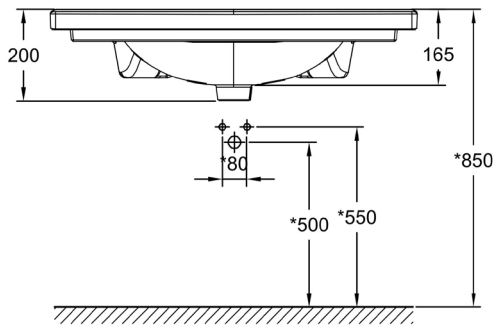
**STANDARDS AND CERTIFICATIONS**

- GB/T 6952-2015

CCASF433-1010410F0

Neo Modern

CCASF433-1010410F0\_Neo Modern Vanity



CCASF433-1010410F0

Neo Modern

CCASF433-1010410F0\_Neo Modern Vanity

<b>Product</b>	Description	Contact us for more information
	Color	White Heat II
	Weight (kg)	24
<b>Dimensions</b>	Product (mm)	800 x 499 x 120
<b>Vanity</b>	Material	Contact us for more information
	Finish	Contact us for more information
<b>Configuration</b>	Door/Drawer Configuration	Contact us for more information
<b>Basin</b>	Type	Contact us for more information
	Material	Contact us for more information
<b>Installation</b>	Type	Contact us for more information