

CEAS5017-0110400TO

Aerozen G2

Aerozen G2 shower toilet 305 (ASEAN)

STYLE SEGMENT

- Modern

KEY SPECIFICATIONS

- Product Dimensions: 791 x 453 x 565
- Flushing Platform: Siphon Double Jet
- Flush Volume: Single flush 6
- Trapway: S Trap
- Rough-in (mm): 305
- Voltage: 220V, 50 - 60Hz
- Rated Power (W): 300
- Maximum Water Pressure, Static (MPa): MAX 0.75
- Minimum Water Pressure, Dynamic (MPa): MIN 0.06
- Hot Water Temperature Range (°C): 32 - 40
- Dryer Temperature (°C): 30-45-55
- Bowl Shape: Full Skirt
- Product Weight (kg): 67



SHIPPING WEIGHT

- Net Weight: Contact us for more information
- Gross Weight: Contact us for more information

KEY TECHNOLOGIES AND FEATURES

HYGIENE

- Aqua Ceramic
- Antibacterial Protection
- Auto Flush
- Dual Nozzles
- ComfortClean

COMFORT

- Dryer
- Heated Seat
- Massage

CONVENIENCE

- Auto Flush
- Remote Control
- Quick-Detach Seat & Cover
- Slow-Closing Seat &

DURABILITY

- Complies with American Standard Quality Standards

SUSTAINABILITY

- Complies with American Standard Quality Standards

SAFETY

- Complies with American Standard Quality Standards

OTHERS

- NIL

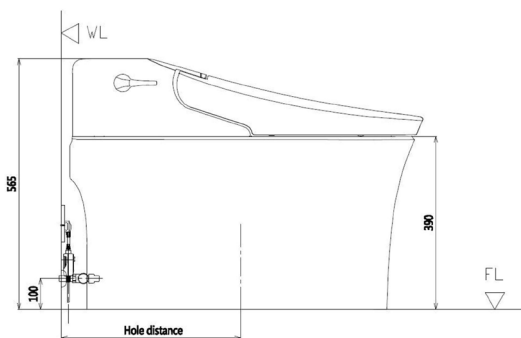
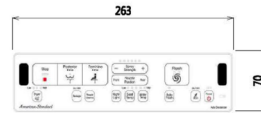
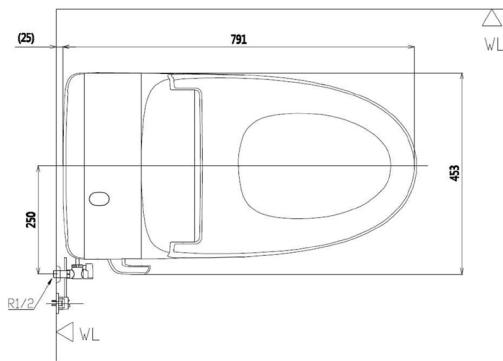
STANDARDS AND CERTIFICATIONS

- SNI 03-0797-2006
- PNS 156:2000
- PNS 993:2000

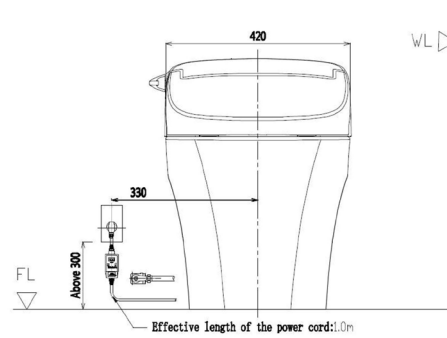
CEAS5017-0110400T0

Aerozen G2

Aerozen G2 shower toilet 305 (ASEAN)



Hole distance=305 (Code: CEAS5017-0110400T0)



CEAS5017-0110400TO

Aerozen G2

Aerozen G2 shower toilet 305 (ASEAN)

Product	Description	Aerozen G2 shower toilet 305 (ASEAN)
	Dimensions (mm)	791 x 453 x 565
	Weight (kg)	67
Flush	Platform	Siphon Double Jet
	Volume	Single flush 6
	System	Siphon Jet
	Type	Single flush
	Flush Valve Included	Yes
Trapway	Type	S Trap
	Rough-in (mm)	305
	Design	S Trap
Power Requirement	Voltage	220V, 50 - 60Hz
	Rated Power (W)	300
Maximum Water Pressure	Static (MPa)	MAX 0.75
Minimum Water Pressure	Dynamic (MPa)	MIN 0.06
Hot Water	Temperature Range (°C)	32 - 40
	Heater Power	300

CEAS5017-0110400TO

Aerozen G2

Aerozen G2 shower toilet 305 (ASEAN)

Dryer Temperature	Temperature Range (°C)	30~45~55
Operating Temperature Range	Temperature Range (°C)	0-40
Bowl	Shape	Full Skirt
	Height Without Seat (mm)	390
Material & Color	Material	PP Vitreous China Plastic
	Color	White Heat II
Components	Floor Mounting Kit Included	Yes
Installation	Type	Floor Mounted
Water Volume Range	Bidet Water	0.45 (+/-0.1) - 0.65 (+/-0.1) L/Min
	Posterior	0.27 (+/- 0.1) - 0.57 (+/- 0.15) L/Min