

CL0550I-6DACTLW

Concept

Concept Cube W/H Wash basin 55Cm WT

STYLE SEGMENT

- Contemporary

KEY SPECIFICATIONS

- Installation Type: Wall Hung
- Product Dimensions: 460 x 550 x 174
- Material: Vitreous China
- Color: White
- Overflow Hole: With
- Faucet Ledge: Yes
- Included Components: Overflow Ring, Wall Fixing, Installation manual



SHIPPING WEIGHT

- Net Weight: 18.9
- Gross Weight: 20.22

KEY TECHNOLOGIES AND FEATURES

HYGIENE

- Complies with American Standard Quality Standards

COMFORT

- Complies with American Standard Quality Standards

CONVENIENCE

- Complies with American Standard Quality Standards

DURABILITY

- Complies with American Standard Quality Standards

SUSTAINABILITY

- Complies with American Standard Quality Standards

SAFETY

- Complies with American Standard Quality Standards

OTHERS

- NIL

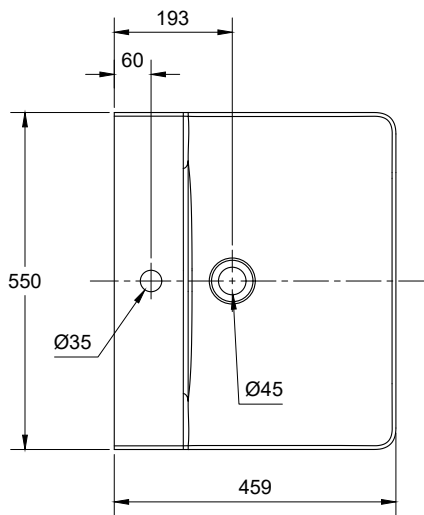
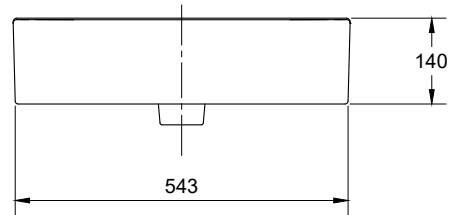
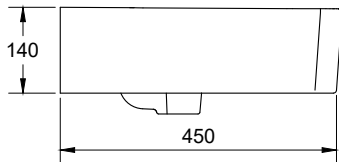
STANDARDS AND CERTIFICATIONS

- TIS-791:2554(2011)

CL0550I-6DACTLW

Concept

Concept Cube W/H Wash basin 55Cm WT



CL0550I-6DACTLW

Concept

Concept Cube W/H Wash basin 55Cm WT

Item	Description	Concept Cube Lava 55 cm
Installations	Type	Wall Hung
Dimensions	Product (mm)	460 x 550 x 174
Material & Color	Material	Vitreous China
	Color	White
Features	Overflow Hole	With
	Faucet Ledge	Yes
Components	Included	Overflow Ring, Wall Fixing, Installation manual
Shipping	Net Weight (kg)	18.9
	Gross Weight (kg)	20.22
	Product Weight (kg)	19.6
	Dimensions (mm)	565 x 200 x 485