

CL26305-6DACTNFTL

Neo Modern

Neo Modern CC Smart lid QIT 4.8L TL WT

STYLE SEGMENT

- Modern

KEY SPECIFICATIONS

- Product Dimensions: 399 x 716 x 792
- Installation Type: Floor Mounted
- Flushing System: Washdown
- Flushing Platform: Auto Sensor & Remote Control
- Flushing Type: Single flush
- Flushing Volume: 4.8
- Trapway: S Trap
- Rough In: 305
- Trapway Design: Concealed
- Bowl Shape: Elongated
- Water Pressure, Dynamic (MPa): 0
- Water Pressure, Static (MPa): 0.137
- Material: Vitreous China
- Color Availability: White

**SHIPPING WEIGHT**

- Net Weight: 43.24
- Gross Weight: 49.16

KEY TECHNOLOGIES AND FEATURES**HYGIENE**

- ComfortClean

COMFORT

- Comfort Curve Seat
- Right Height

CONVENIENCE

- Slow-Closing Seat & Cover

DURABILITY

- Complies with American Standard Quality Standards

SUSTAINABILITY

- Complies with American Standard Quality Standards

SAFETY

- Complies with American Standard Quality Standards

OTHERS

- NIL

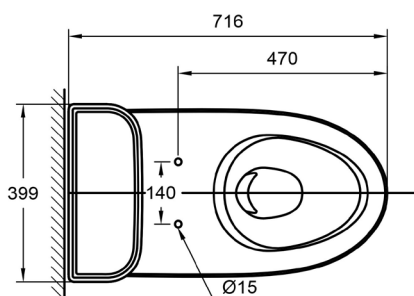
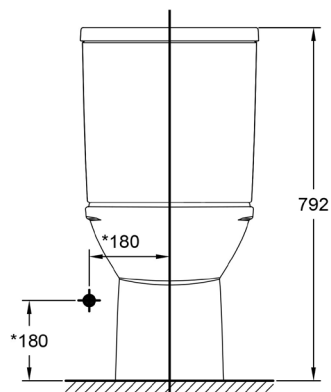
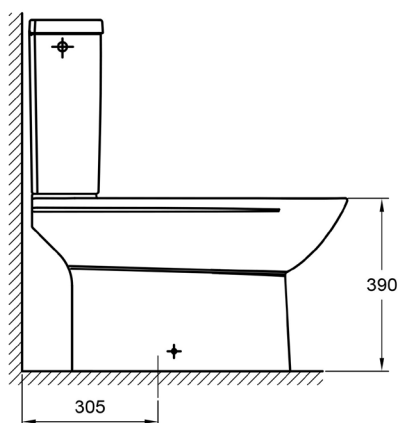
STANDARDS AND CERTIFICATIONS

- TIS 792-2011

CL26305-6DACTNFTL

Neo Modern

Neo Modern CC Smart lid QIT 4.8L TL WT



CL26305-6DACTNFTL

Neo Modern

Neo Modern CC Smart lid QIT 4.8L TL WT

Item	Description	Neo Modern CC Smart lid QIT 4.8L TL WT
Dimensions	Product (mm)	399 x 716 x 792
Material & Color	Material	Vitreous China
	Color	White
Bowl	Shape	Elongated
Trapway	Type	S Trap
	Rough-in (mm)	305
	Design	Concealed
Flushing	System	Washdown
	Type	Single flush
	Platform	Auto Sensor & Remote Control
	Volume	4.8
Water Pressure	Dynamic (MPa)	0
	Static (MPa)	0.137
Installation	Type	Floor Mounted

CL26305-6DACTNFTL

Neo Modern

Neo Modern CC Smart lid QIT 4.8L TL WT

Components	Toilet Seat Included	Yes
Shipping	Net Weight (kg)	43.24
	Gross Weight (kg)	49.16
	Product Weight (kg)	41.65
	Dimensions (mm)	936 x 435 x 520