

CL28935-6DACTSTTL

Halo

Halo CC Concave tank 4.8L TL WT

STYLE SEGMENT

- Contemporary

KEY SPECIFICATIONS

- Product Dimensions: 400 x 712 x 780
- Installation Type: Floor Mounted
- Flushing System: Washdown
- Flushing Platform: Auto Sensor & Remote Control
- Flushing Type: Single flush
- Flushing Volume: 4.8
- Trapway: S Trap
- Rough In: 305
- Trapway Design: Concealed
- Bowl Shape: Elongated
- Water Pressure, Dynamic (MPa): 0
- Water Pressure, Static (MPa): 0.137
- Material: Vitreous China
- Color Availability: White

**SHIPPING WEIGHT**

- Net Weight: 38.8
- Gross Weight: 51.5

KEY TECHNOLOGIES AND FEATURES**HYGIENE**

- Complies with American Standard Quality Standards

COMFORT

- Complies with American Standard Quality Standards

CONVENIENCE

- Slow-Closing Seat & Cover

DURABILITY

- Complies with American Standard Quality Standards

SUSTAINABILITY

- Complies with American Standard Quality Standards

SAFETY

- Complies with American Standard Quality Standards

OTHERS

- NIL

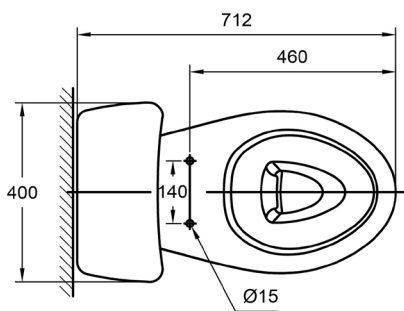
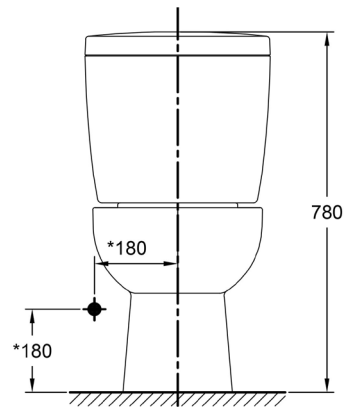
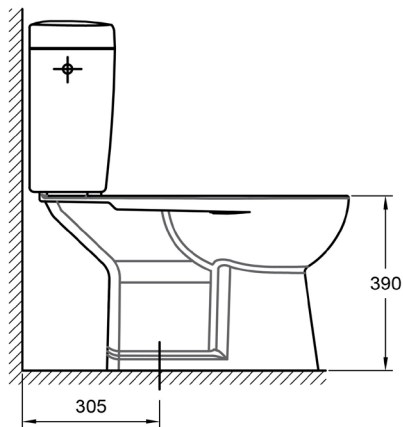
STANDARDS AND CERTIFICATIONS

- TIS 792-2011

CL28935-6DACTSTTL

Halo

Halo CC Concave tank 4.8L TL WT



CL28935-6DACTSTTL

Halo

Halo CC Concave tank 4.8L TL WT

| | | |
|------------------|---------------|---------------------------------|
| Item | Description | Halo CC Concave tank 4.8L TL WT |
| Dimensions | Product (mm) | 400 x 712 x 780 |
| Material & Color | Material | Vitreous China |
| | Color | White |
| Bowl | Shape | Elongated |
| Trapway | Type | S Trap |
| | Rough-in (mm) | 305 |
| | Design | Concealed |
| Flushing | System | Washdown |
| | Type | Single flush |
| | Platform | Auto Sensor & Remote Control |
| | Volume | 4.8 |
| Water Pressure | Dynamic (MPa) | 0 |
| | Static (MPa) | 0.137 |
| Installation | Type | Floor Mounted |

CL28935-6DACTSTTL

Halo

Halo CC Concave tank 4.8L TL WT

| | | |
|------------|----------------------|-----------------|
| Components | Toilet Seat Included | Yes |
| Shipping | Net Weight (kg) | 38.8 |
| | Gross Weight (kg) | 51.5 |
| | Product Weight (kg) | 38.42 |
| | Dimensions (mm) | 945 x 460 x 526 |