

CL6401U-6DACTUS

Washbrook

Mini Washbrook top-inlet ID35 urinal WT

**STYLE SEGMENT**

- Contemporary

**KEY SPECIFICATIONS**

- Product Description: Mini Washbrook top-inlet ID35 urinal WT
- Product Dimensions: 350 x 605 x 320
- Installation Type: Wall Hung
- Flush Valve Included: No
- Flushing Mechanism: Washdown
- Flush Volume: 2
- Inlet Hole Location: Top
- Inlet Spud Diameter (mm): 35
- Outlet Connection Diameter (mm): 53
- Operating Pressure - Dynamic (MPa): 0.17
- Operating Pressure - Static (MPa): 0.15
- Material: Vitreous China
- Color: White Heat II



**SHIPPING WEIGHT**

- Net Weight: 19.66
- Gross Weight: 22.98

**KEY TECHNOLOGIES AND FEATURES**

**HYGIENE**

- Complies with American Standard Quality Standards

**COMFORT**

- Complies with American Standard Quality Standards

**CONVENIENCE**

- Complies with American Standard Quality Standards

**DURABILITY**

- Complies with American Standard Quality Standards

**SUSTAINABILITY**

- Complies with American Standard Quality Standards

**SAFETY**

- Complies with American Standard Quality Standards

**OTHERS**

- NIL

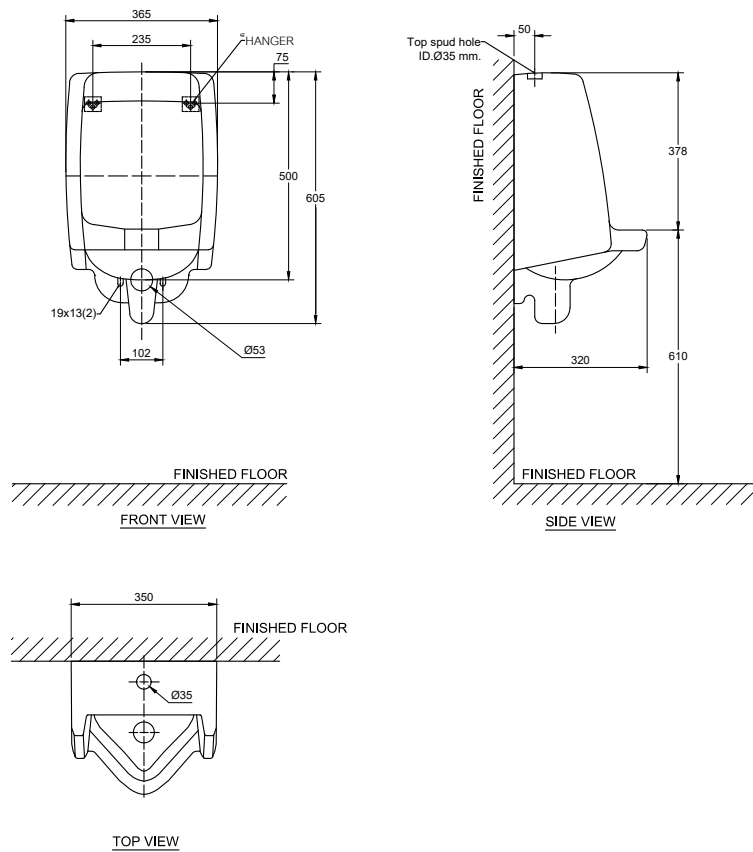
**STANDARDS AND CERTIFICATIONS**

- TIS 795-2544

CL6401U-6DACTUS

Washbrook

Mini Washbrook top-inlet ID35 urinal WT



CL6401U-6DACTUS

Washbrook

Mini Washbrook top-inlet ID35 urinal WT

<b>Product</b>	Description	Mini Washbrook top-inlet ID35 urinal WT
	Dimensions (mm)	350 x 605 x 320
	Weight (kg)	20
<b>Installation</b>	Type	Wall Hung
<b>Flush</b>	Flush Valve Included	No
	Mechanism	Washdown
	Volume	2
<b>Inlet</b>	Hole Location	Top
	Spud Diameter (mm)	35
<b>Outlet</b>	Connection Diameter (mm)	53
	Connection Type	Horizontal
<b>Operating Pressure</b>	Dynamic (MPa)	0.17
	Static (MPa)	0.15
<b>Material &amp; Color</b>	Material	Vitreous China
	Color	White Heat II
<b>Trapway</b>	Type	P Trap
<b>Shipping</b>	Net Weight (kg)	19.66
	Gross Weight (kg)	22.98
	Dimensions (mm)	380 x 620 x 360