

CLBF550-CBAF

Concept

Cabinet CONCEPT 550/Combi Brown

STYLE SEGMENT

- Contemporary

KEY SPECIFICATIONS

- Product Dimensions: W550 x L460 x H416
- Product Description: Cabinet CONCEPT 550/Combi Brown
- Vanity Material: Particle Board
- Vanity Finish: Melamine
- Color: Combi Brown
- Door/Drawer Configuration: 1 Door
- Basin Type: Countertop
- Basin Material: Ceramic
- Product Weight: 15



SHIPPING WEIGHT

- Net Weight: Contact us for more information
- Gross Weight: Contact us for more information

KEY TECHNOLOGIES AND FEATURES

HYGIENE

- Complies with American Standard Quality Standards

COMFORT

- Soft-closing Doors & Drawers

CONVENIENCE

- Wide Angle Door

DURABILITY

- Strong Moisture Resistance
- Anti-Corrosion & Anti-Mold

SUSTAINABILITY

- Green & Safe

SAFETY

- Complies with American Standard Quality Standards

OTHERS

- NIL

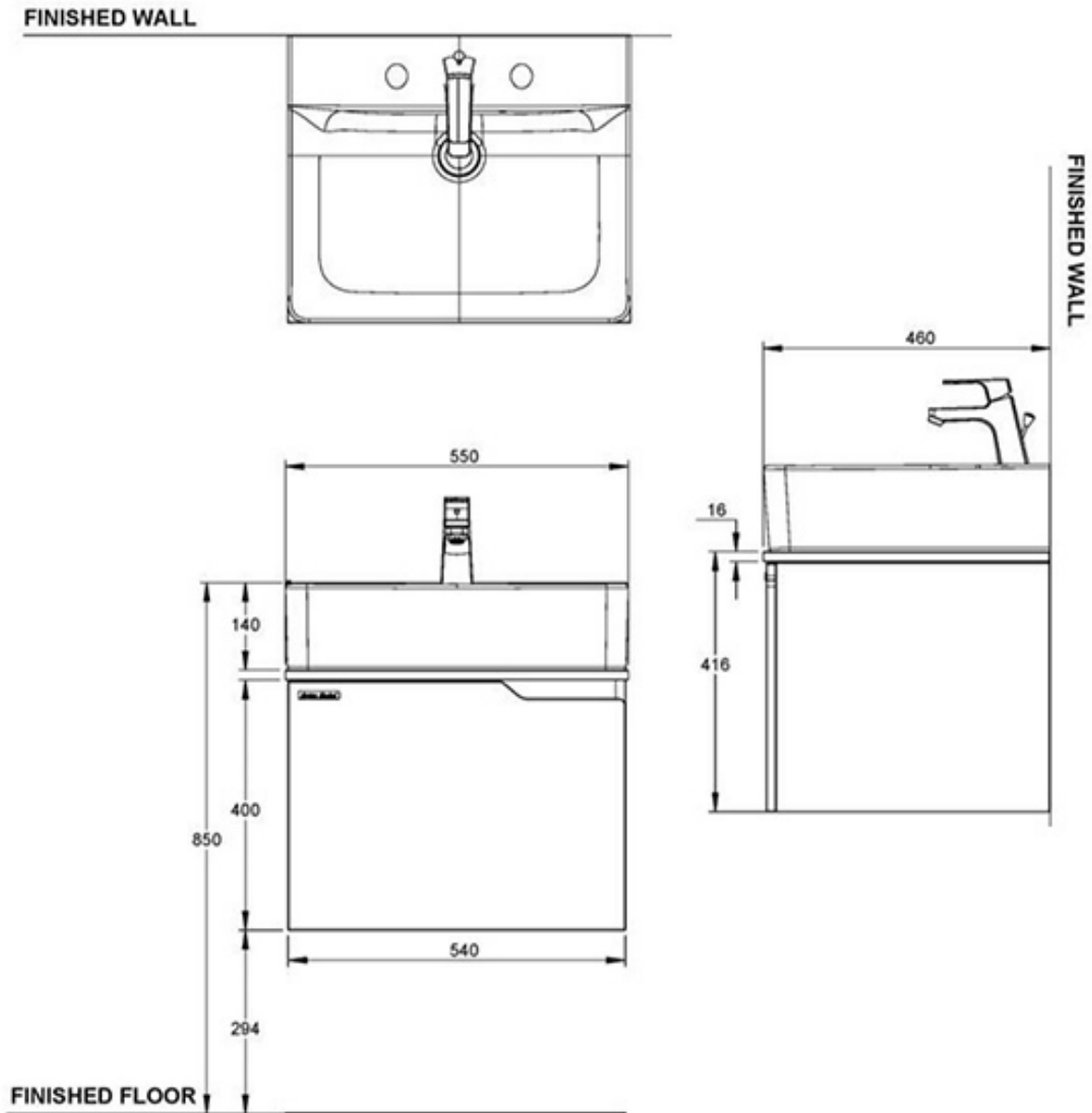
STANDARDS AND CERTIFICATIONS

- N/A

CLBF550-CBAF

Concept

Cabinet CONCEPT 550/Combi Brown



CLBF550-CBAF

Concept

Cabinet CONCEPT 550/Combi Brown

| | | |
|----------------------|---------------------------|---------------------------------|
| Product | Description | Cabinet CONCEPT 550/Combi Brown |
| | Color | Combi Brown |
| | Weight (kg) | 15 |
| Dimensions | Product (mm) | W550 x L460 x H416 |
| Vanity | Material | Particle Board |
| | Finish | Melamine |
| Configuration | Door/Drawer Configuration | 1 Door |
| Basin | Type | Countertop |
| | Material | Ceramic |
| Installation | Type | Wall hung |