

F11301-CHACT100

Acacia Evolution

ACACIA E BASIN MIXER(TOP LEVER)

STYLE SEGMENT

- Modern

KEY SPECIFICATIONS

- Product Description: ACACIA E BASIN MIXER(TOP LEVER)
- Colour: Chrome
- Faucet Type: Mixer
- No. of Faucet Holes Required: 2
- Flow Rate: 2.2gpm
- Is Drain Included: Yes
- Connection Size (inches): G1/2



SHIPPING WEIGHT

- Net Weight: Contact us for more information
- Gross Weight: Contact us for more information

KEY TECHNOLOGIES AND FEATURES

HYGIENE

- Complies with American Standard Quality Standards

COMFORT

- Complies with American Standard Quality Standards

CONVENIENCE

- Complies with American Standard Quality Standards

DURABILITY

- Complies with American Standard Quality Standards

SUSTAINABILITY

- Complies with American Standard Quality Standards

SAFETY

- Complies with American Standard Quality Standards

OTHERS

- NIL

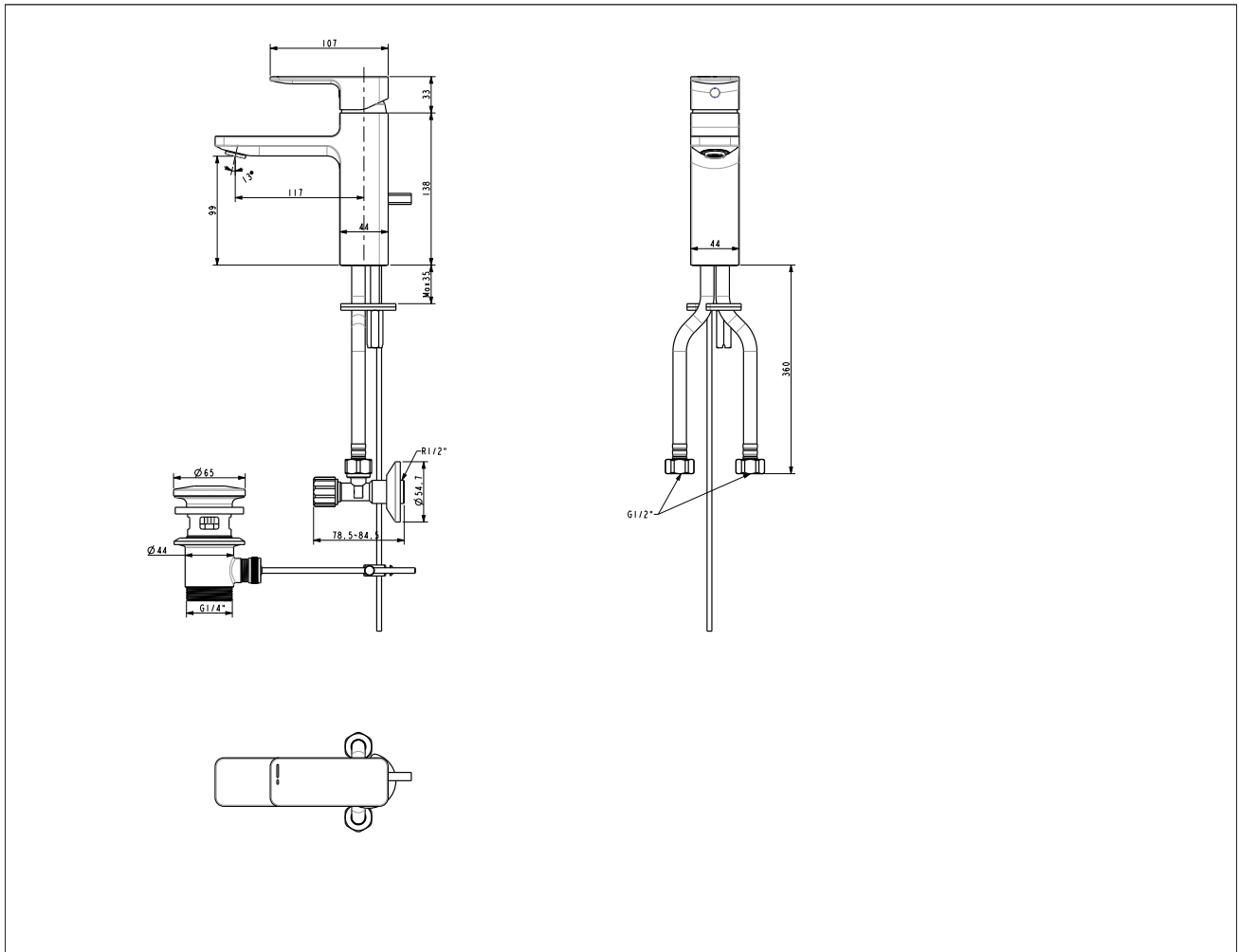
STANDARDS AND CERTIFICATIONS

- GB 18145-2014

F11301-CHACT100

Acacia Evolution

ACACIA E BASIN MIXER(TOP LEVER)



F11301-CHACT100

Acacia Evolution

ACACIA E BASIN MIXER(TOP LEVER)

Product	Description	ACACIA E BASIN MIXER(TOP LEVER)
	Weight (kg)	2.4
	Finish	Chrome
	Flow Rate	2.2gpm
	Mounting Location	Deck Mount
Material & Color	Material	Brass
	Color	Chrome
Faucet	Type	Mixer
	No. of Holes Required	2
Connection	Size (mm)	DN15
	Size (inches)	G1/2
Handle	Material	Zinc Die Cast
	Type	Lever
	No. of Handles	1
Components	Drain Included	Yes
	Included	yes
	Excluded	NA
Spout	Hose Thread in Spout	Yes
	Dimensions (mm)	Spout Reach: 117 , Spout Height:99
	Type	Ceramic
Valve	Type	Integrated