

FFAS0930-000A00BT0

Easysset

ConcealThermostatic Mixer with Trim_HG

STYLE SEGMENT

- Contemporary

KEY SPECIFICATIONS

- Product Description: EasySET Conceal Thermostatic Mixer
- Product Dimensions: 151 x151 x119
- Exposed/Concealed Body: Concealed
- Finish: PVD
- Flow Rate: 28.7
- Water Pressure, Dynamic (MPa): 0.5
- Water Pressure, Static (MPa): 0.5
- Max Water Temperature (°C): 43
- Excluded Components: Concealed Shower

SHIPPING WEIGHT

- Net Weight: Contact us for more information
- Gross Weight: Contact us for more information

KEY TECHNOLOGIES AND FEATURES

HYGIENE

- Complies with American Standard Quality Standards

COMFORT

- Thermocomfort

CONVENIENCE

- SpaceCreate

DURABILITY

- Durashine

SUSTAINABILITY

- Complies with American Standard Quality Standards

SAFETY

- ThermoSafe

OTHERS

- NIL

STANDARDS AND CERTIFICATIONS

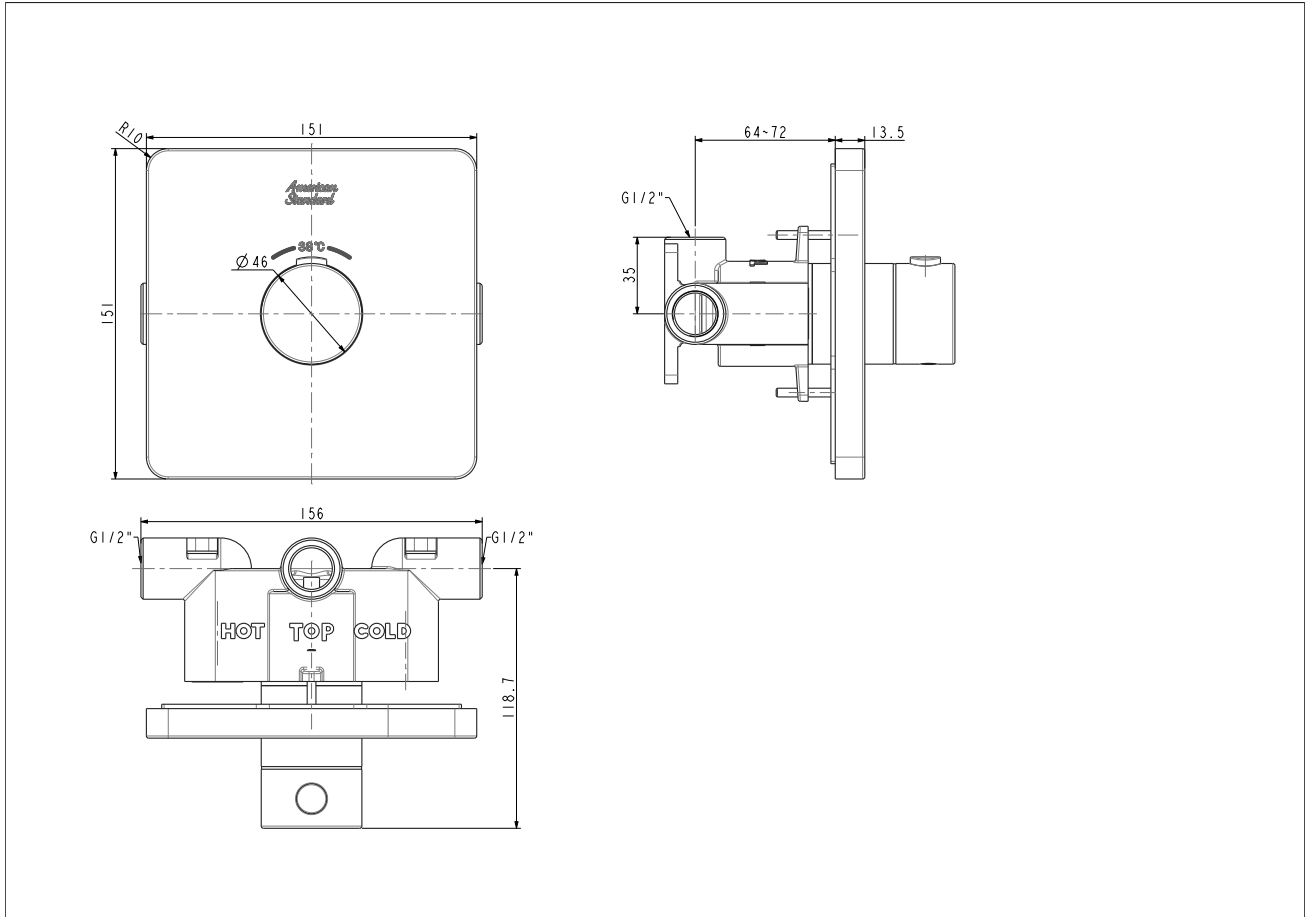
- QB/T 2806-2017



FFAS0930-000A00BT0

Easysset

ConcealThermostatic Mixer with Trim_HG



FFAS0930-000A00BT0

Easysset

ConcealThermostatic Mixer with Trim_HG

| | | |
|------------------------------|-------------------|------------------------------------|
| Product | Description | EasySET Conceal Thermostatic Mixer |
| | Weight (kg) | 1.9 |
| | Dimensions (mm) | 151 x151 x119 |
| | Finish | PVD |
| | Flow Rate | 28.7 |
| | Material | Zinc Die Cast |
| Body | Exposed/Concealed | Concealed |
| Water Pressure | Dynamic (MPa) | 0.5 |
| | Static (MPa) | 0.5 |
| Max Water Temperature | Temperature (°C) | 43 |
| Components | Included | N/A |
| | Excluded | Concealed Shower |