

FFAS0930-000DA0BT0

**Easysset**

ConcealThermostatic Mixer with Trim\_PWS

#### STYLE SEGMENT

- Contemporary

#### KEY SPECIFICATIONS

- Product Description: EasySET Conceal Thermostatic Mixer
- Product Dimensions: 151 x151 x119
- Exposed/Concealed Body: Concealed
- Finish: PVD
- Flow Rate: 28.7
- Water Pressure, Dynamic (MPa): 0.5
- Water Pressure, Static (MPa): 0.5
- Max Water Temperature (°C): 43
- Excluded Components: Concealed Shower

#### SHIPPING WEIGHT

- Net Weight: Contact us for more information
- Gross Weight: Contact us for more information

#### KEY TECHNOLOGIES AND FEATURES

##### HYGIENE

- Complies with American Standard Quality Standards

##### COMFORT

- Thermocomfort

##### CONVENIENCE

- SpaceCreate

##### DURABILITY

- Durashine

##### SUSTAINABILITY

- Complies with American Standard Quality Standards

##### SAFETY

- ThermoSafe

##### OTHERS

- NIL

#### STANDARDS AND CERTIFICATIONS

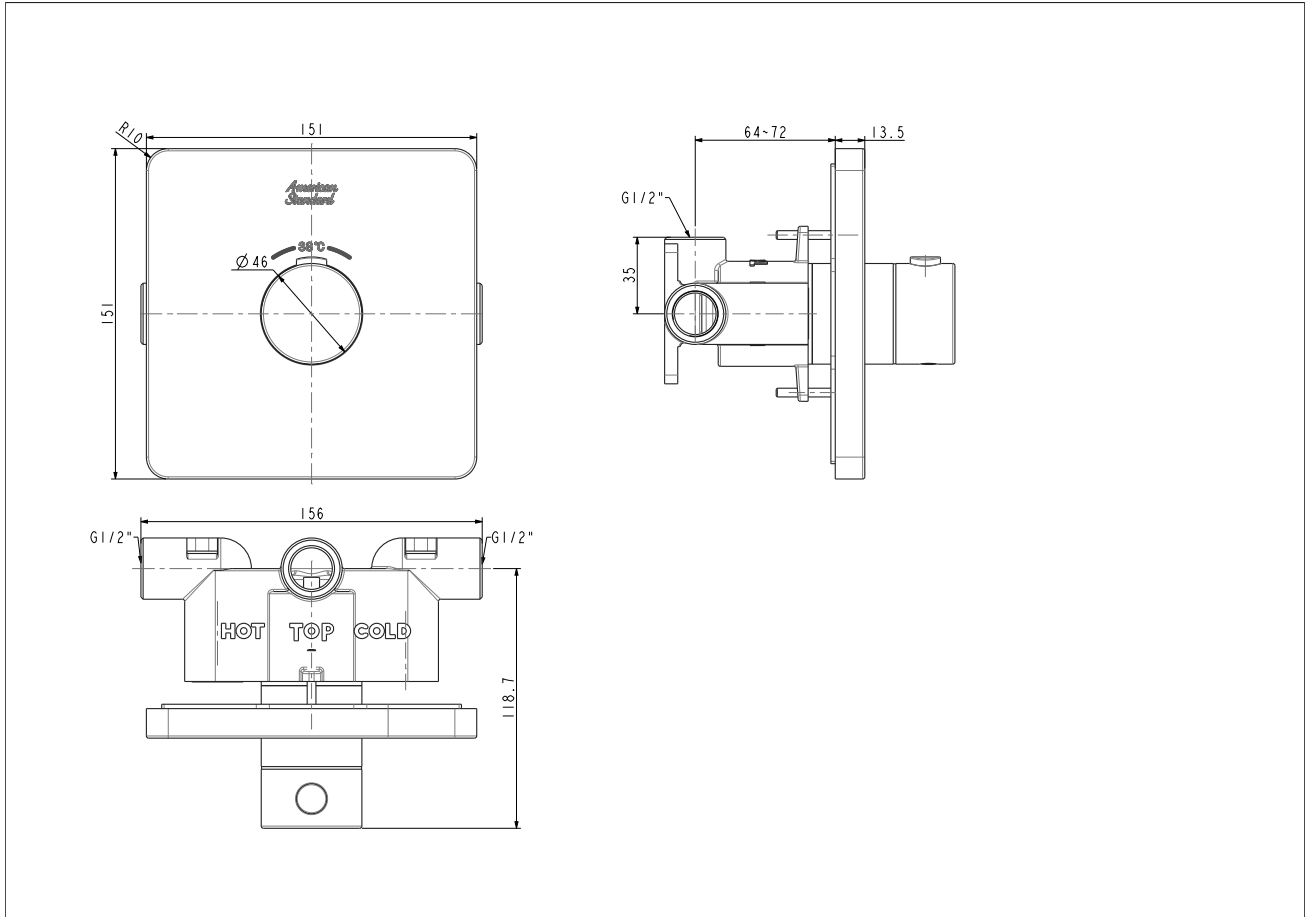
- QB/T 2806-2017



FFAS0930-000DA0BT0

**Easysset**

ConcealThermostatic Mixer with Trim\_PWS



FFAS0930-000DA0BT0

**Easysset**

## ConcealThermostatic Mixer with Trim\_PWS

<b>Product</b>	Description	EasySET Conceal Thermostatic Mixer
	Weight (kg)	1.9
	Dimensions (mm)	151 x151 x119
	Finish	PVD
	Flow Rate	28.7
	Material	Zinc Die Cast
<b>Body</b>	Exposed/Concealed	Concealed
<b>Water Pressure</b>	Dynamic (MPa)	0.5
	Static (MPa)	0.5
<b>Max Water Temperature</b>	Temperature (°C)	43
<b>Components</b>	Included	N/A
	Excluded	Concealed Shower