

FFAS1303-101440BT0

Acacia Evolution

Acacia E 8 inch basin mixer_Matt Black

STYLE SEGMENT

- Modern

KEY SPECIFICATIONS

- Product Description: 3-Hole Basin Mixer Faucet
- Colour: Black
- Faucet Type: Mixer
- No. of Faucet Holes Required: 3
- Flow Rate: 5.8
- Is Drain Included: Yes
- Connection Size (inches): G1/2

SHIPPING WEIGHT

- Net Weight: Contact us for more information
- Gross Weight: Contact us for more information

KEY TECHNOLOGIES AND FEATURES

HYGIENE

- Complies with American Standard Quality Standards

COMFORT

- Comfort Angle
- ComfortMove

CONVENIENCE

- Complies with American Standard Quality Standards

DURABILITY

- Durashine

SUSTAINABILITY

- Water-Saving

SAFETY

- Complies with American Standard Quality Standards

OTHERS

- NIL

STANDARDS AND CERTIFICATIONS

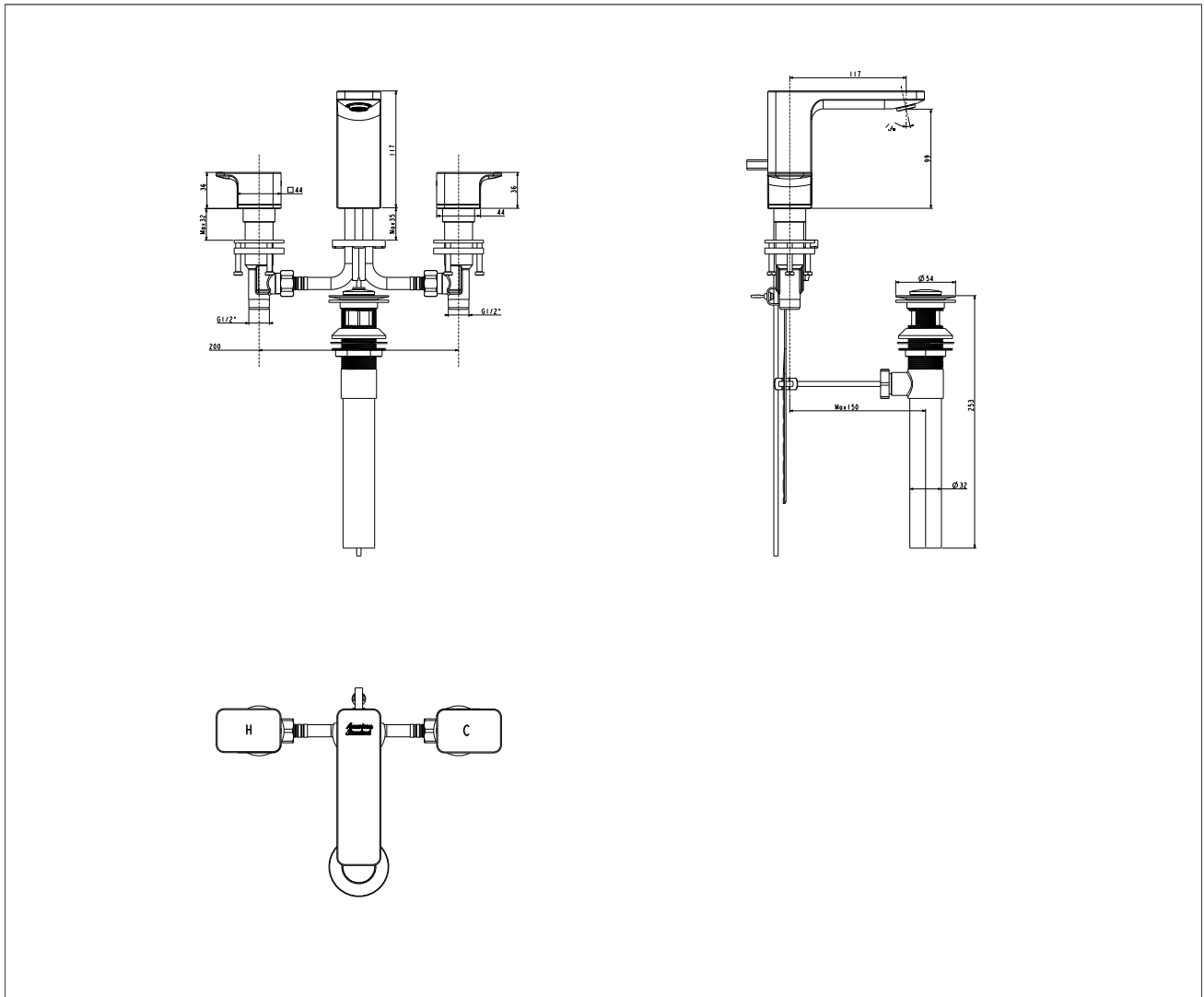
- GB 18145-2014



FFAS1303-101440BTO

Acacia Evolution

Acacia E 8 inch basin mixer_Matt Black



FFAS1303-101440BTO

Acacia Evolution

Acacia E 8 inch basin mixer_Matt Black

Product	Description	3-Hole Basin Mixer Faucet
	Weight (kg)	3.8
	Finish	Powder Coating
	Flow Rate	5.8
	Mounting Location	Deck Mount
Material & Color	Material	Brass
	Color	Black
Faucet	Type	Mixer
	No. of Holes Required	3
Connection	Size (mm)	21
	Size (inches)	G1/2
Handle	Material	Zinc Die Cast
	Type	Lever
	No. of Handles	2
Components	Drain Included	Yes
	Included	Pop-up waste
	Excluded	N/A
Spout	Hose Thread in Spout	Yes
	Dimensions (mm)	Spout Reach 117 Spout Height 99
	Type	Ceramic
Valve	Type	Standard