

FFAS1703-101DAOBT0

Signature

S-T 3-Hole Basin Mixer With Pop__PWS

STYLE SEGMENT

- Modern

KEY SPECIFICATIONS

- Product Description: Signature 3-Hole Basin Mixer With Pop-up drain__PWS
- Colour: Warm Sunset
- Faucet Type: Mixer
- No. of Faucet Holes Required: 3
- Flow Rate: 3.8
- Is Drain Included: Yes
- Connection Size (inches): G1/2

SHIPPING WEIGHT

- Net Weight: 2.79
- Gross Weight: 2.99

KEY TECHNOLOGIES AND FEATURES

HYGIENE

- Complies with American Standard Quality Standards

COMFORT

- ComfortMove

CONVENIENCE

- Complies with American Standard Quality Standards

DURABILITY

- Durashine

SUSTAINABILITY

- Complies with American Standard Quality Standards

SAFETY

- Complies with American Standard Quality Standards

OTHERS

- NIL

STANDARDS AND CERTIFICATIONS

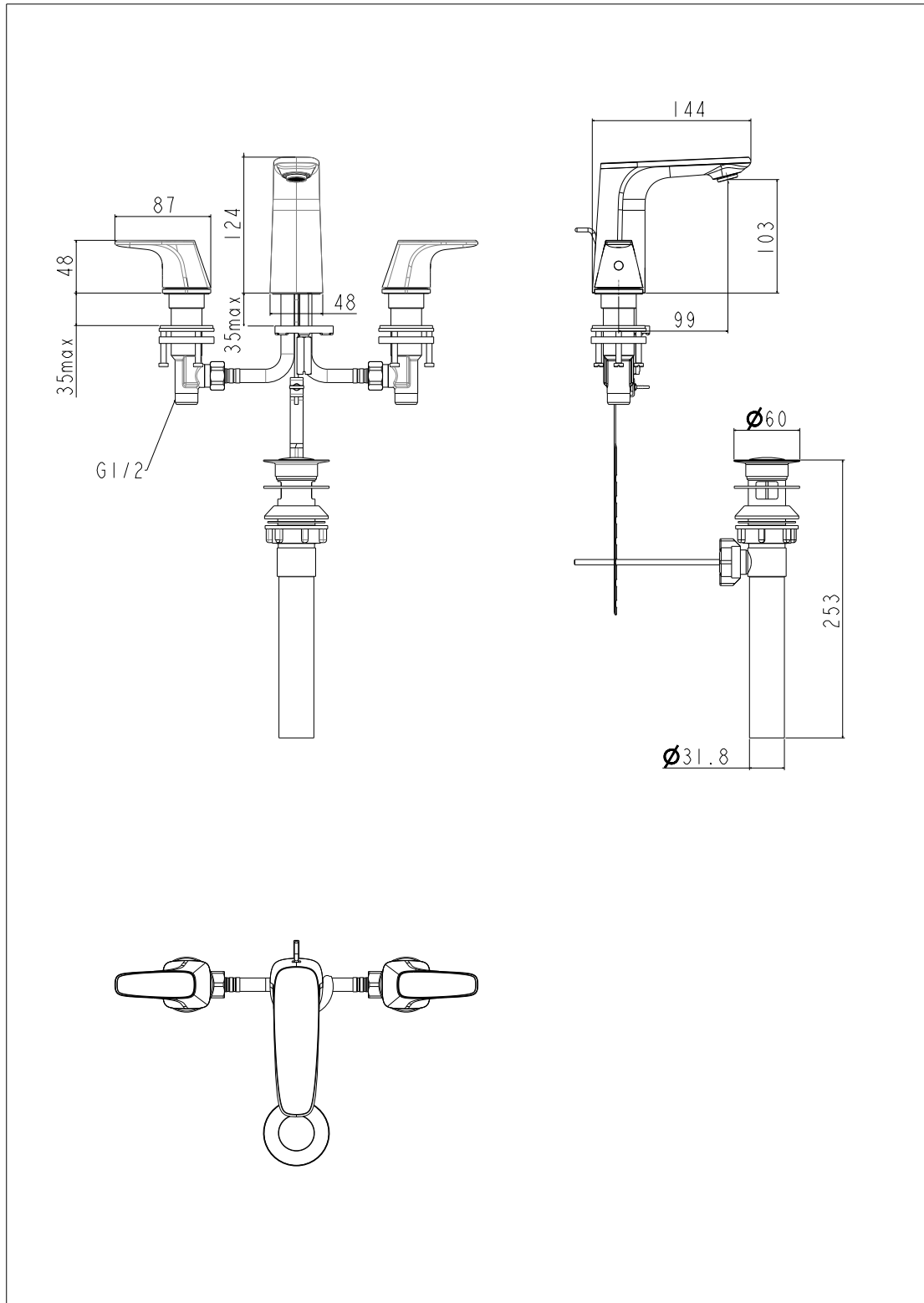
- TIS 2067-2552



FFAS1703-101DA0BT0

Signature

S-T 3-Hole Basin Mixer With Pop__PWS



FFAS1703-101DAOBT0

Signature

S-T 3-Hole Basin Mixer With Pop__PWS

Product	Description	Signature 3-Hole Basin Mixer With Pop-up drain__PWS
	Weight (kg)	2.79
	Finish	PVD
	Flow Rate	3.8
	Mounting Location	Deck Mount
Material & Color	Material	Brass
	Color	Warm Sunset
Faucet	Type	Mixer
	No. of Holes Required	3
Connection	Size (mm)	G1/2
	Size (inches)	G1/2
Handle	Material	Zinc Die Cast
	Type	Lever
	No. of Handles	2
Components	Drain Included	Yes
	Included	N/A
	Excluded	N/A
Spout	Hose Thread in Spout	No
	Dimensions (mm)	99,103
	Type	Ceramic
Valve	Type	Standard