

FFAS1704-101DA0BT0

Signature

S-T Wall Mounted Basin Mixer With__PWS

STYLE SEGMENT

- Modern

KEY SPECIFICATIONS

- Product Description: Signature_Wall Mounted Basin Mixer With drain__PWS
- Colour: Warm Sunset
- Faucet Type: Mixer
- No. of Faucet Holes Required: 1
- Flow Rate: 3.8
- Is Drain Included: Yes
- Connection Size (inches): R1/2

SHIPPING WEIGHT

- Net Weight: 3.06
- Gross Weight: 3.26

KEY TECHNOLOGIES AND FEATURES

HYGIENE

- Complies with American Standard Quality Standards

COMFORT

- Comfort Angle
- ComfortMove

CONVENIENCE

- Complies with American Standard Quality Standards

DURABILITY

- Durashine

SUSTAINABILITY

- Complies with American Standard Quality Standards

SAFETY

- Complies with American Standard Quality Standards

OTHERS

- NIL

STANDARDS AND CERTIFICATIONS

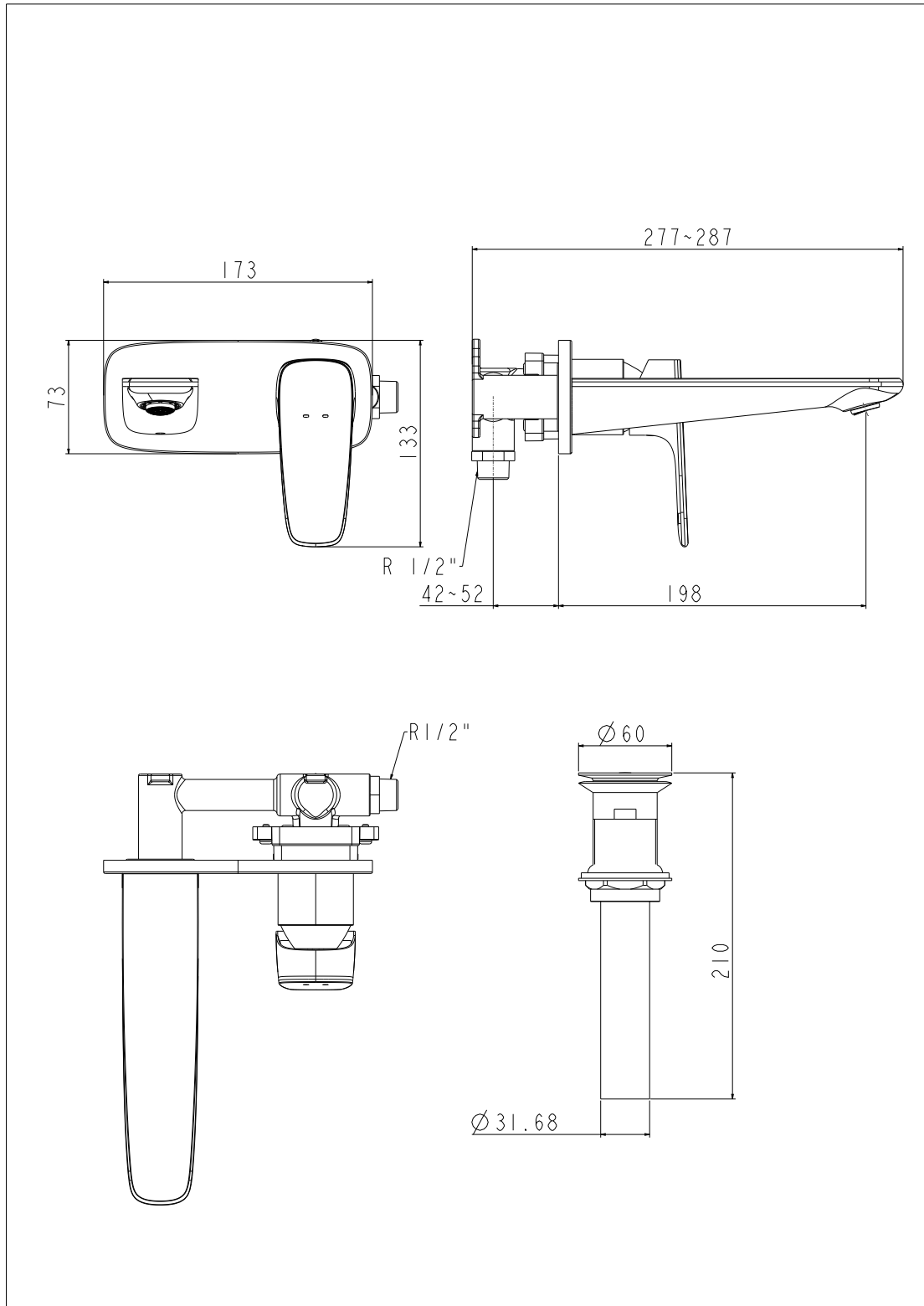
- TIS 2067-2552



FFAS1704-101DA0BT0

Signature

S-T Wall Mounted Basin Mixer With__PWS



FFAS1704-101DA0BT0

Signature

S-T Wall Mounted Basin Mixer With__PWS

Product	Description	Signature_Wall Mounted Basin Mixer With drain__PWS
	Weight (kg)	3.06
	Finish	PVD
	Flow Rate	3.8
	Mounting Location	Wall Mount
Material & Color	Material	Brass
	Color	Warm Sunset
Faucet	Type	Mixer
	No. of Holes Required	1
Connection	Size (mm)	R1/2
	Size (inches)	R1/2
Handle	Material	Zinc Die Cast
	Type	Lever
	No. of Handles	1
Components	Drain Included	Yes
	Included	N/A
	Excluded	N/A
Spout	Hose Thread in Spout	No
	Dimensions (mm)	198
	Type	Ceramic
Valve	Type	Standard