

FFAS1706-1015LOBTO

Signature

Signature Basin Mono Without Pop-up Drain

STYLE SEGMENT

- Modern

KEY SPECIFICATIONS

- Product Description: Signature Basin Mono FFAS1706-1015LOBTO
- Colour: Chrome
- Faucet Type: Mixer
- No. of Faucet Holes Required: 1
- Flow Rate: 3.8
- Is Drain Included: No
- Connection Size (inches): G1/2



SHIPPING WEIGHT

- Net Weight: 1.16
- Gross Weight: 1.36

KEY TECHNOLOGIES AND FEATURES

HYGIENE

- Complies with American Standard Quality Standards

COMFORT

- ComfortMove

CONVENIENCE

- Complies with American Standard Quality Standards

DURABILITY

- Durashine

SUSTAINABILITY

- Complies with American Standard Quality Standards

SAFETY

- Complies with American Standard Quality Standards

OTHERS

- NIL

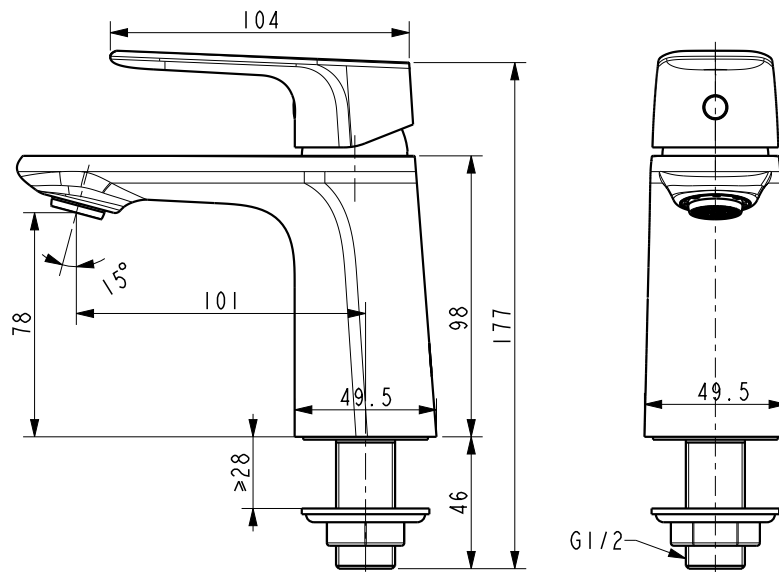
STANDARDS AND CERTIFICATIONS

- GB 18145-2014
- TIS 2067-2544

FFAS1706-1015LOBT0

Signature

Signature Basin Mono Without Pop-up Drain
Signature Basin Mono Without Pop-up Drain



FFAS1706-1015LOBTO

Signature

Signature Basin Mono Without Pop-up Drain
Signature Basin Mono Without Pop-up Drain

Product	Description	Signature Basin Mono FFAS1706-1015LOBTO
	Weight (kg)	1.16
	Finish	Chrome
	Flow Rate	3.8
	Mounting Location	Deck Mount
Material & Color	Material	Brass
	Color	Chrome
Faucet	Type	Mixer
	No. of Holes Required	1
Connection	Size (mm)	DN15
	Size (inches)	G1/2
Handle	Material	Zinc Die Cast
	Type	Lever
	No. of Handles	1
Components	Drain Included	No
	Included	N/A
	Excluded	N/A
Spout	Hose Thread in Spout	No
	Dimensions (mm)	Spout Reach: 101, Spout Height: 78
	Type	Ceramic
Valve	Type	Standard