

FFAS1712-709GLOBTO

## Signature

### Signature Exposed Shower Mixer-C\_CS

#### STYLE SEGMENT

- Modern

#### KEY SPECIFICATIONS

- Product Description: Signature Exposed Shower Mixer\_CS
- Bathroom Faucet Type: Exposed Shower
- Colour: Cool Sunrise
- Hand Shower Included: No
- Flow Rate: Shower,16

#### SHIPPING WEIGHT

- Net Weight: Contact us for more information
- Gross Weight: Contact us for more information

#### KEY TECHNOLOGIES AND FEATURES

##### HYGIENE

- Complies with American Standard Quality Standards

##### COMFORT

- Complies with American Standard Quality Standards

##### CONVENIENCE

- Complies with American Standard Quality Standards

##### DURABILITY

- Complies with American Standard Quality Standards

##### SUSTAINABILITY

- Complies with American Standard Quality Standards

##### SAFETY

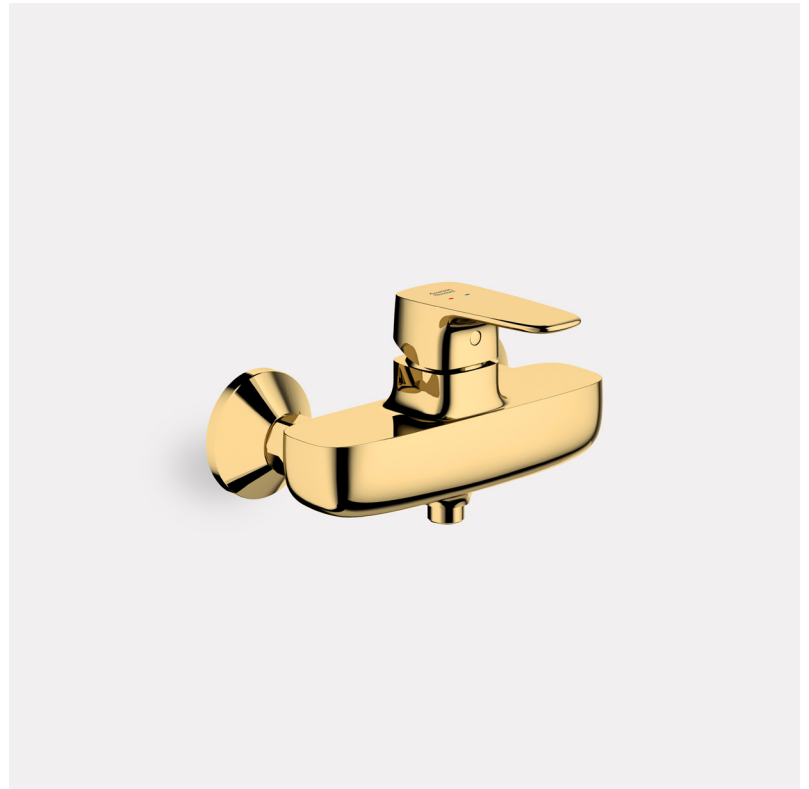
- Complies with American Standard Quality Standards

##### OTHERS

- NIL

#### STANDARDS AND CERTIFICATIONS

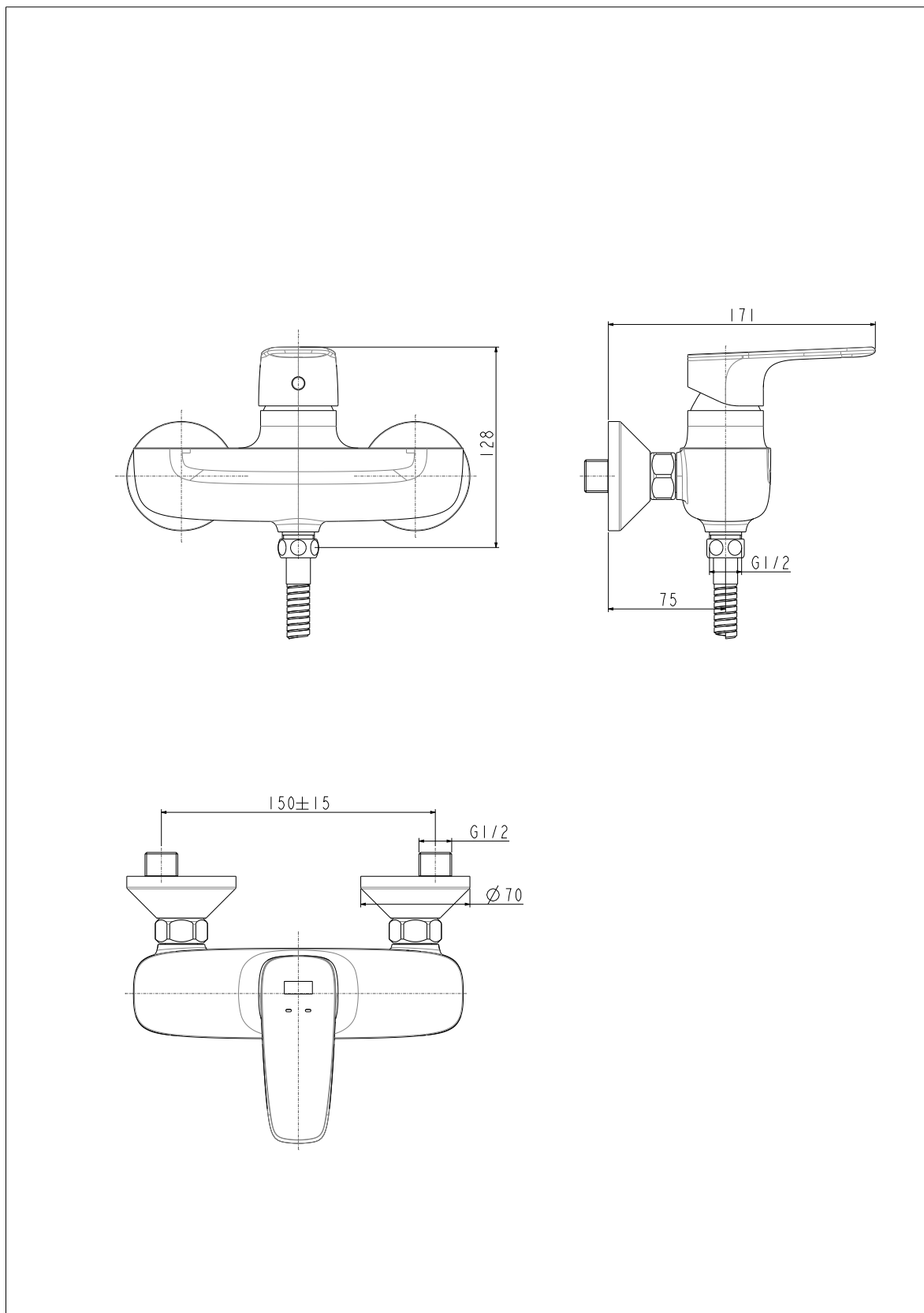
- GB 18145-2014



FFAS1712-709GLOBT0

Signature

Signature Exposed Shower Mixer-C\_CS



FFAS1712-709GLOBTO

## Signature

### Signature Exposed Shower Mixer-C\_CS

<b>Product</b>	Description	Signature Exposed Shower Mixer_CS
	Weight (kg)	2.13
	Dimensions (mm)	129x220x171
	Finish	PVD
	Flow Rate	Shower,16
	Mounting Location	Wall Mount
<b>Material &amp; Color</b>	Material	Brass
	Color	Cool Sunrise
<b>Bathroom Faucet</b>	Type	Exposed Shower
<b>Faucet</b>	Type	Mixer
<b>Connection</b>	Size (mm)	G1/2
	Size (inches)	G1/2
<b>Handle</b>	Material	Zinc Die Cast
	Type	Lever
	No. of Handles	1

FFAS1712-709GLOBTO

## Signature

### Signature Exposed Shower Mixer-C\_CS

<b>Components</b>	Hand Shower Included	No
	Included	N/A
	Excluded	N/A
<b>Installation</b>	Number of Holes Required	2
<b>Valve</b>	Type	Ceramic