

FFAS4956-601A00BT0

Easysset

E-S Exposed Auto Temperature Shower_HG

STYLE SEGMENT

- Contemporary

KEY SPECIFICATIONS

- Product Description: EasySET Exposed Auto Temperature Shower System (3-way)
- Product Dimensions: 316 x 214 x 1246
- Exposed/Concealed Body: Exposed
- Finish: PVD
- Flow Rate: Hand Shower: 5.76, Spout: 9.76
- Water Pressure, Dynamic (MPa): 0.5
- Water Pressure, Static (MPa): 0.5
- Max Water Temperature (°C): 49
- Excluded Components: Exposed Bath & Shower



SHIPPING WEIGHT

- Net Weight: Contact us for more information
- Gross Weight: Contact us for more information

KEY TECHNOLOGIES AND FEATURES

HYGIENE

- Complies with American Standard Quality Standards

COMFORT

- Thermocomfort

CONVENIENCE

- Push & Turn
- SpaceCreate
- EasySwivel

DURABILITY

- Durashine

SUSTAINABILITY

- Water-Saving

SAFETY

- Safety-Lock
- ThermoSafe
- CoolShield

OTHERS

- NIL

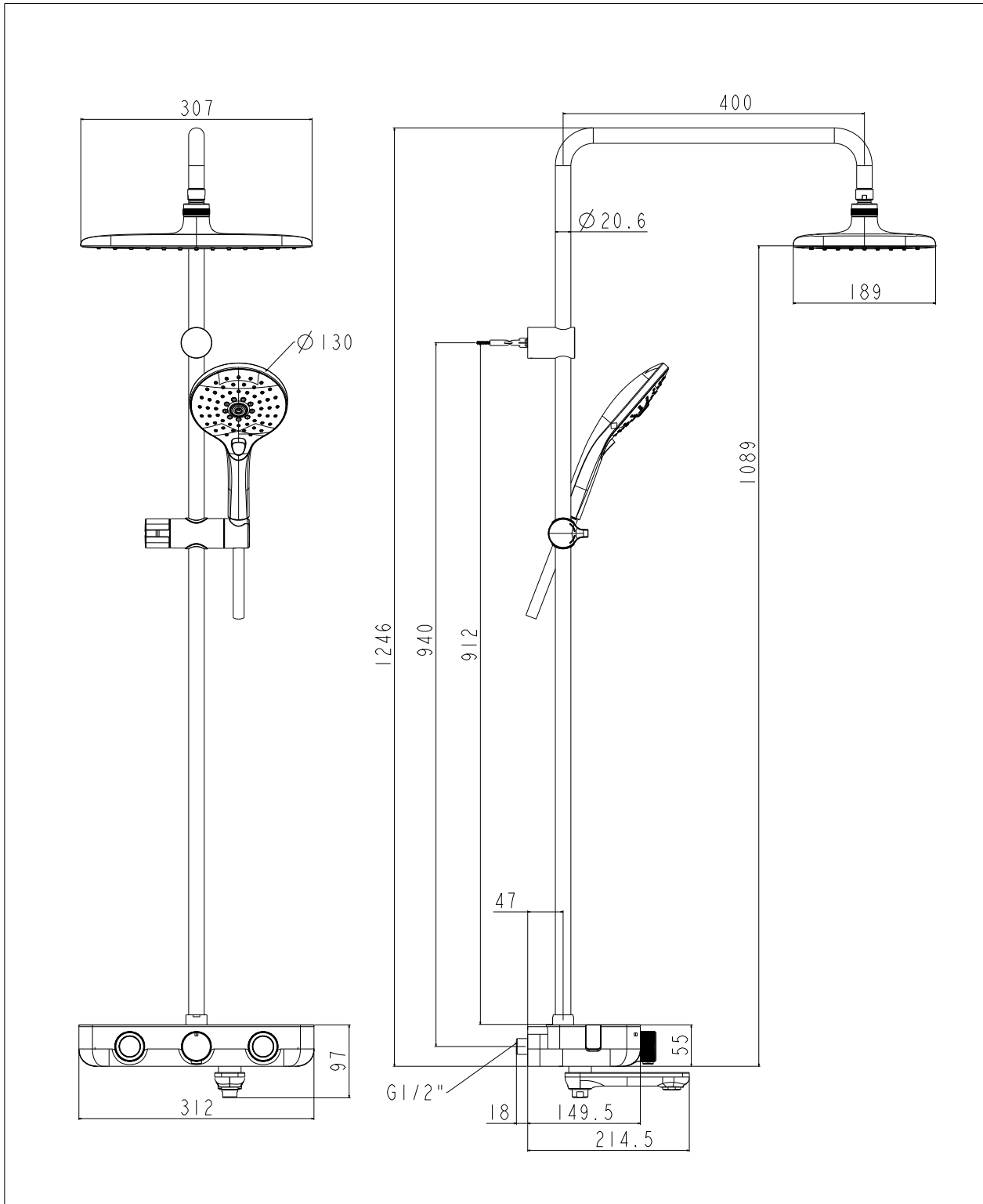
STANDARDS AND CERTIFICATIONS

- QB/T 2806-2017

FFAS4956-601A00BT0

Easyset

E-S Exposed Auto Temperature Shower_HG



FFAS4956-601A00BT0

Easysset

E-S Exposed Auto Temperature Shower_HG

Product	Description	EasySET Exposed Auto Temperature Shower System (3-way)
	Weight (kg)	7.5
	Dimensions (mm)	316 x 214 x 1246
	Finish	PVD
	Flow Rate	Hand Shower: 5.76, Spout: 9.76
	Material	Brass
Body	Exposed/Concealed	Exposed
Water Pressure	Dynamic (MPa)	0.5
	Static (MPa)	0.5
Max Water Temperature	Temperature (°C)	49
Components	Included	Shower kits
	Excluded	Exposed Bath & Shower