

FFASTS28-000GLOBT0

DuoSTiX

DuoSTiX™ Hygiene Spray_GLO

STYLE SEGMENT

- Transitional

KEY SPECIFICATIONS

- Product Dimensions: 252x112x81
- Material: Plastic
- Color Availability: Contact us for more information
- Flow Rate: 5.06
- Additional Components Included: Contact us for more information
- Hose Included: Yes

SHIPPING WEIGHT

- Net Weight: Contact us for more information
- Gross Weight: Contact us for more information

KEY TECHNOLOGIES AND FEATURES

HYGIENE

- Complies with American Standard Quality Standards

COMFORT

- Complies with American Standard Quality Standards

CONVENIENCE

- Complies with American Standard Quality Standards

DURABILITY

- Complies with American Standard Quality Standards

SUSTAINABILITY

- Complies with American Standard Quality Standards

SAFETY

- Complies with American Standard Quality Standards

OTHERS

- NIL

STANDARDS AND CERTIFICATIONS

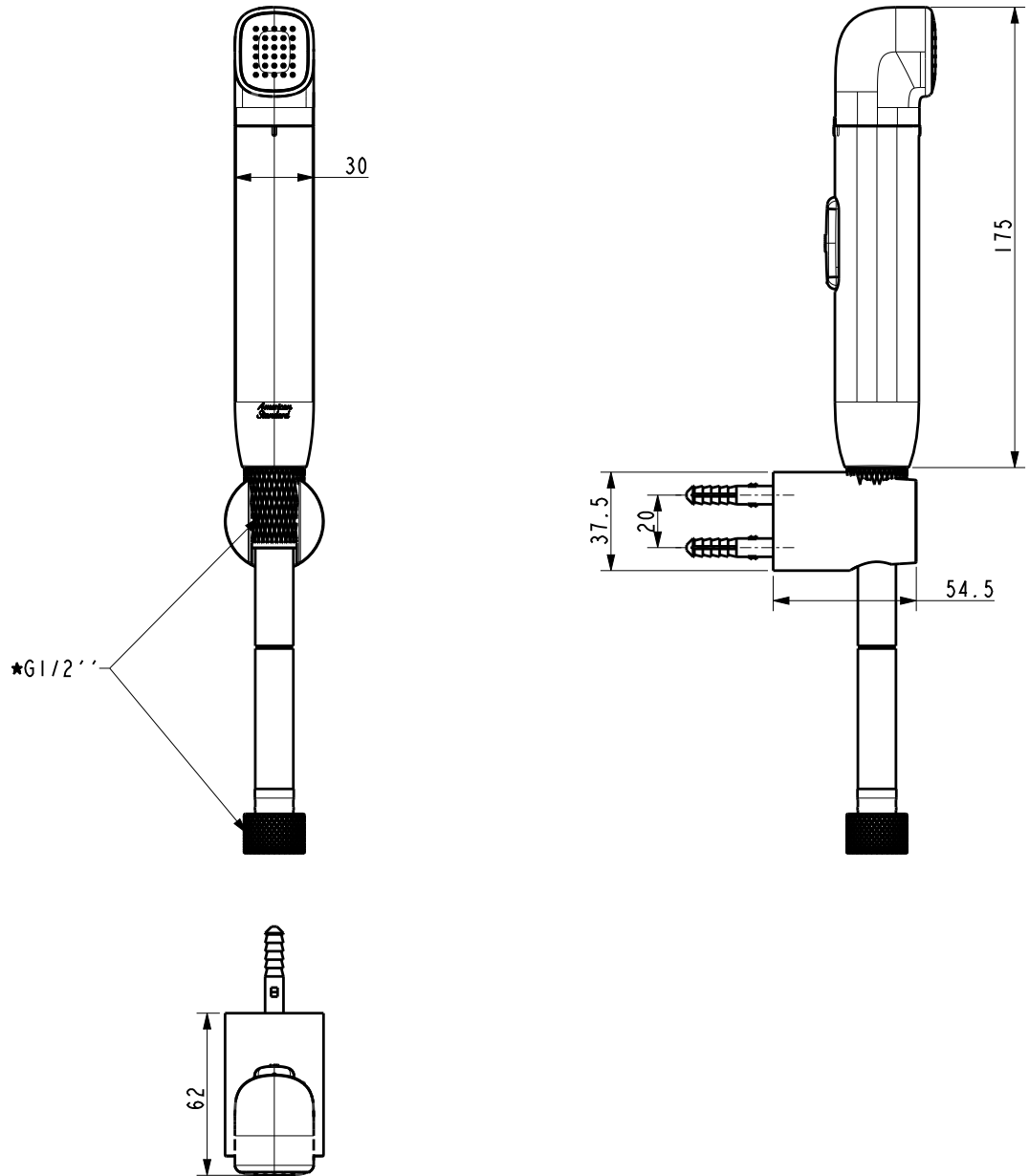
- GB/T 23447-2009



FFASTS28-000GLOBT0

DuoSTiX

DuoSTiX™ Hygiene Spray_GL0



FFASTS28-000GLOBT0

DuoSTiX

DuoSTiX™ Hygiene Spray_GL0

Components	Description	Contact us for more information
	Weight (kg)	0.44
	Dimensions (mm)	252x112x81
	Material	Plastic
	Flow Rate	5.06
Shipping	Additional Components Included	Contact us for more information
	Hose Included	Yes